



Rotules

Ball joints

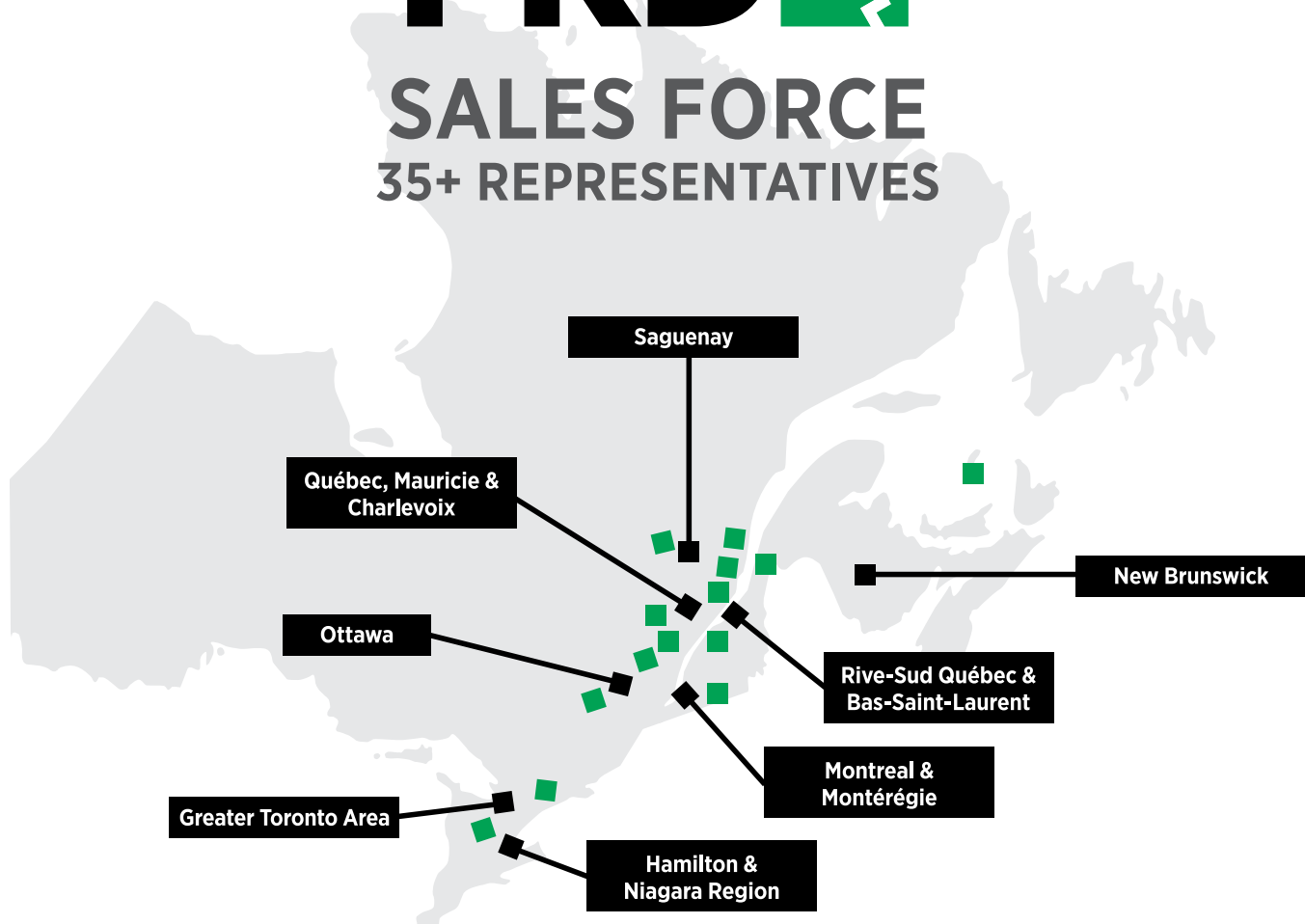


FORCE DE VENTE

35+ REPRÉSENTANTS



SALES FORCE
35+ REPRESENTATIVES



Membre
Member

ENTREPRISE DE
CHEZ NOUS

WE ARE
LOCAL



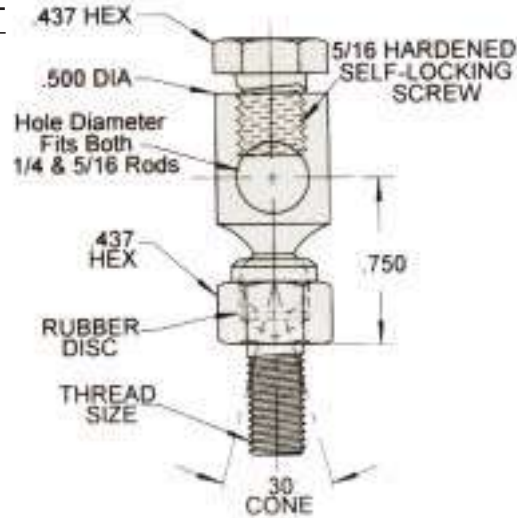
05-2024



CONTRÔLE D'AMORTISSEUR PIVOTANT
DAMPER CONTROL SWIVELS

SPECIFICATIONS

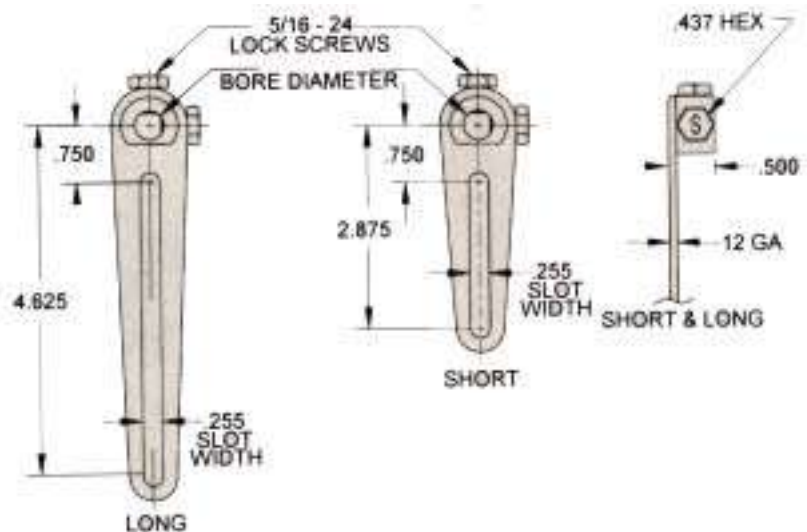
The units are made from low carbon steel and are plated and dichromate treated for corrosion resistance. The set screws are made of low carbon steel, plated and dichromate treated for corrosion resistance. Set screws are case hardened. A rubber disc is used in the assembly.



DAMPER CONTROL SWIVELS LESS NUT AND WASHER			DAMPER CONTROL SWIVELS WITH NUT AND WASHER		5/16" DIAMETER CONNECTING RODS		
NUMÉRO	DIMENSIONS	BTE	NUMÉRO	BTE	NUMÉRO	LONG	BTE
221-158	1/4-28 x 7/16	2	221-215	3	221-217	12"	2
221-159	1/4-28 x 9/16	2	221-182	3	221-218	24"	1
221-160	1/4-20 x 7/16	2	221-183	3			
221-210	1/4-20 x 9/16	2	221-184	3			
221-211	5/16-24 x 3/4	2	221-216	2			

MANIVELLE
CRANK ARMS

ACIER CALIBRE 12 / 12 GAUGE STEEL



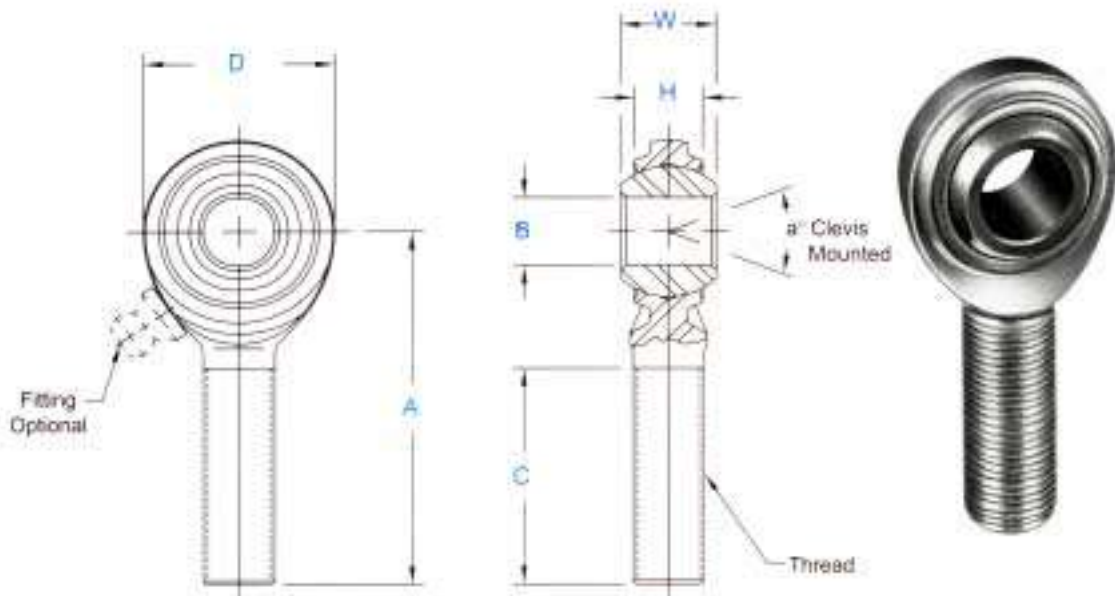
NUMÉRO	DESCRIPTION	BORE DIAMETER	BTE	12 GAUGE STEEL
221-212	Short series Crank Arm for 3/8" shaft	.385 / .389	1	
221-213	Long series Crank Arm for 3/8" shaft	.385 / .389	1	
221-214	Long series Crank Arm for 1/2" shaft	.510 / .514	1	



JOINT À ROTULE MÂLE
THROTTLE BALL JOINT MALE

USAGE GÉNÉRAL - ÉCONOMIQUE / GENERAL PURPOSE - ECONOMY

SPECIFICATIONS
BODY - Carbon steel, protective coated for corrosion resistance.
BALL - Sintered steel, heat treated, oil impregnated.
ALTERNATE BALL - Alloy steel, heat treated, hard chrome plated.



NUMÉRO PRD		DIMENSIONS EN POUÇES								a° Misalign. Angle	Ultim.Radial Static Load Capacity Lbs.	Approx. Brg. Wt. Lbs.
FILET À DROITE	FILET À GAUCHE	B +.0025 -.0005	W ±.005	H Ref.	A ±.015	D Ref.	Ball Dia. Ref.	C +.062 -.031	FILET UNF-3A			
221-101	221-102	.1900	.312	.234	1.250	.625	.437	.750	10-32	20	1,204	.03
221-103	221-104	.2500	.375	.250	1.562	.750	.500	1.000	1/4-28	27	2,212	.04
221-105	221-106	.3125	.437	.312	1.875	.875	.625	1.250	5/16-24	22	3,577	.07
221-107	221-108	.3750	.500	.359	1.938	1.000	.719	1.250	3/8-24	22	5,068	.11
221-109	221-192	.4375	.562	.406	2.125	1.125	.812	1.375	7/16-20	21	6,345	.15
221-110	221-111	.5000	.625	.453	2.438	1.312	.937	1.500	1/2-20	20	8,338	.24
221-112	221-113	.6250	.750	.484	2.625	1.500	1.125	1.625	5/8-18	26	9,713	.36
221-114	221-193	.7500	.875	.593	2.875	1.750	1.312	1.750	3/4-16	24	14,207	.57

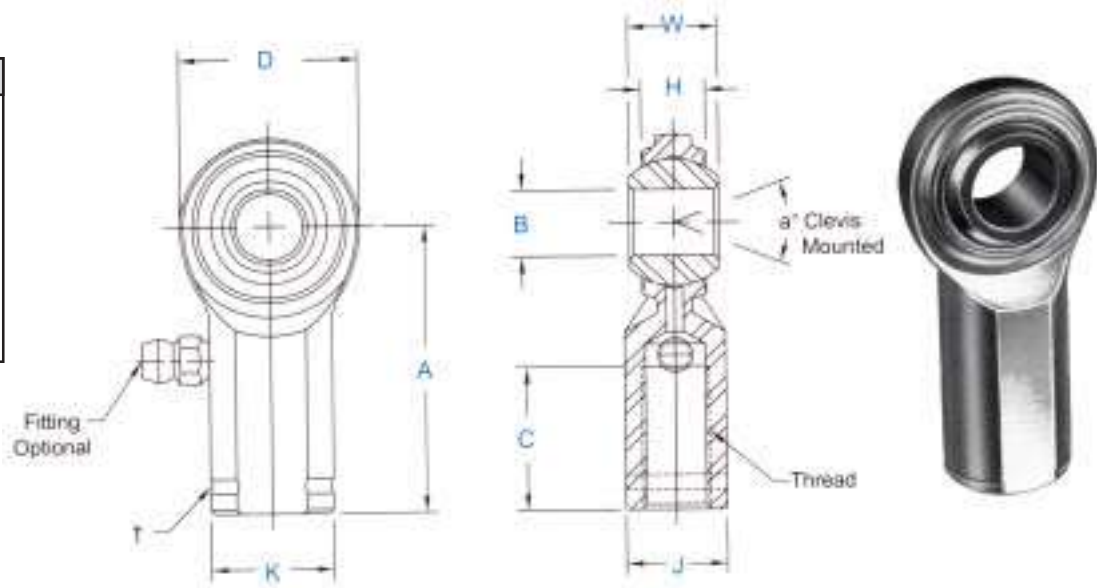
Tous ces produits sont vendus à l'unité



JOINT À ROTULE FEMELLE
THROTTLE BALL JOINT FEMALE

USAGE GÉNÉRAL - ÉCONOMIQUE / GENERAL PURPOSE - ECONOMY

SPECIFICATIONS
BODY - Carbon steel, protective coated for corrosion resistance.
BALL - Sintered steel, heat treated, oil impregnated.
ALTERNATE BALL - Alloy steel, heat treated, hard chrome plated.



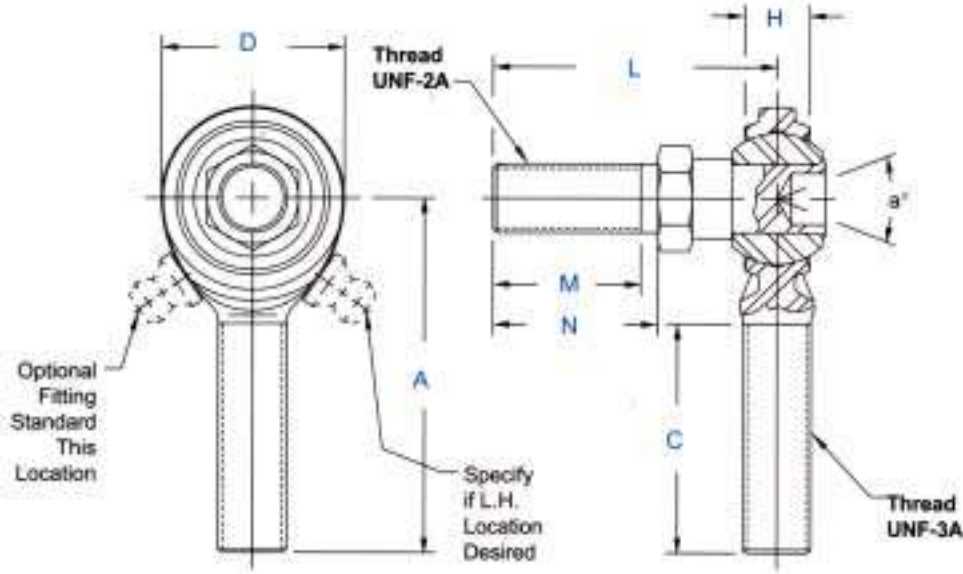
NUMÉRO PRD		DIMENSIONS EN POUÇES										a° Misal. Angle	Ultim..Radial Static load Capacity Lbs.	Approx Brg. Wt. Lbs.
FILET À DROITE	FILET À GAUCHE	B +.0025 - .0005	W ±.005	H Ref.	A ±.015	D Ref.	K ±.010	J ±.010	BALL Dia. Ref.	C +.062 - .031	FILET UNF-2B			
221-115	221-116	.1900	.312	.234	1.062	.625	.406	.312	.437	.500	10-32	20	2,079	.04
221-117	221-118	.2500	.375	.250	1.312	.750	.469	.375	.500	.687	1/4-28	27	3,208	.05
221-119	221-120	.3125	.437	.312	1.375	.875	.500	.437	.625	.687	5/16-24	22	3,824	.08
221-121	221-122	.3750	.500	.359	1.625	1.000	.687	.562	.719	.812	3/8-24	22	5,087	.13
221-123	221-125	.4375	.562	.406	1.812	1.125	.750	.625	.812	.937	7/16-20	21	6,385	.18
221-124	221-127	.5000	.625	.453	2.125	1.312	.875	.750	.937	1.062	1/2-20	20	9,096	.29
221-126	221-194	.6250	.750	.484	2.500	1.500	1.000	.875	1.125	1.375	5/8-18	26	9,713	.43
221-128	221-195	.7500	.875	.593	2.875	1.750	1.125	1.000	1.312	1.562	3/4-16	24	14,207	.65

Tous ces produits sont vendus à l'unité



JOINT À ROTULE MÂLE AVEC GOUJONS
MALE ROD ENDS WITH STUDS

USAGE GÉNÉRAL - ÉCONOMIQUE / GENERAL PURPOSE - ECONOMY



SPECIFICATIONS
BODY - Carbon steel, protective coated for corrosion resistance.
BALL - Sintered steel, heat treated, oil impregnated.
STUD - Carbon steel, protective coated for corrosion resistance, right hand thread standard.
NOTES
Stud are available on all rod end series. (E.G. - MM - 8S.) 2s & 16s available in "M" series

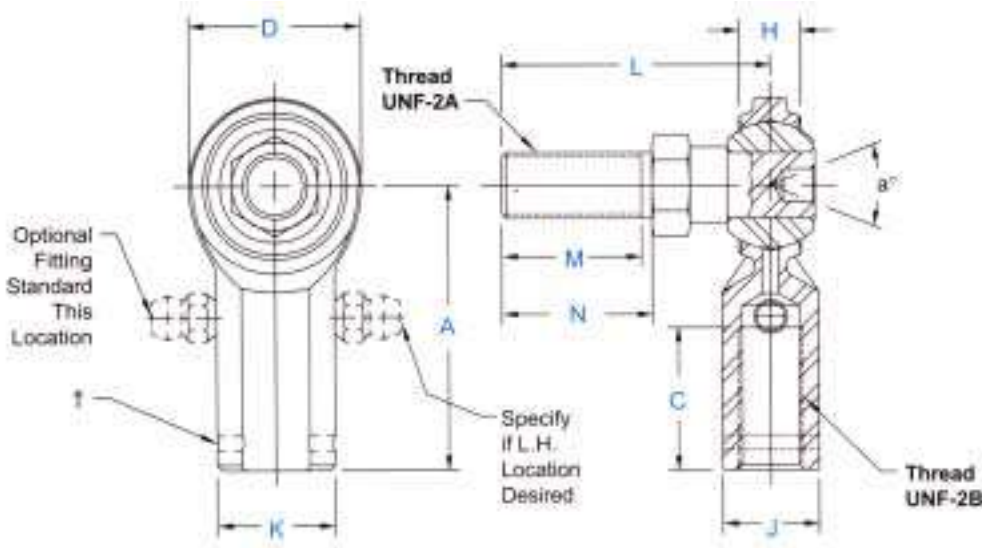
NUMÉRO PRD		DIMENSIONS EN POUCES								a° Misalign. Angle	Ultim.Radial Static Load Capacity Lbs.	Approx. Brg. Wt. Lbs.
FILET À DROITE	FILET À GAUCHE	H Ref.	A ±0.15	D Ref.	C +.062 -.031	L ±.015	N ±.010	M Ref.	FILET UNF-3A			
221-129	221-130	.234	1.250	.625	.750	1.000	.500	.437	10-32	45	---	.04
221-131	221-132	.250	1.562	.750	1.000	1.031	.562	.500	1/4-28	40	---	.05
221-133	221-134	.312	1.875	.875	1.250	1.219	.687	.593	5/16-24	42	---	.10
221-135	221-136	.359	1.938	1.000	1.250	1.562	.906	.812	3/8-24	46	---	.15
221-137	221-198	.406	2.125	1.125	1.375	1.750	1.062	.937	7/16-20	44	---	.24
221-138	221-139	.453	2.438	1.312	1.500	2.000	1.125	1.000	1/2-20	48	---	.35
221-140	221-141	.484	2.625	1.500	1.625	2.500	1.500	1.375	5/8-18	52	---	.61
221-142	221-199	.593	2.875	1.750	1.750	3.000	1.812	1.625	3/4-16	46	---	1.03

Tous ces produits sont vendus à l'unité



JOINT À ROTULE FEMELLE AVEC GOUJON
FEMALE ROD ENDS WITH STUDS

USAGE GÉNÉRAL - ÉCONOMIQUE / GENERAL PURPOSE - ECONOMY



SPECIFICATIONS
BODY - Carbon steel, protective coated for corrosion resistance.
BALL - Sintered steel, heat treated, oil impregnated.
STUD - Carbon steel, protective coated for corrosion resistance, right hand thread standard.
NOTES
Stud are available on all rod end series. (E.G. - MM - 8S.) 2s & 16s available in "M" series

NUMÉRO PRD		DIMENSIONS EN POUCES										a° Misalign. Angle	Ult.Radial Static load Capacity Lbs.	Approx Brg. Wt. Lbs.
FILET À DROITE	FILET À GAUCHE	H Ref.	A ±.015	D Ref.	K ±.010	J ±.010	C +.062 -.031	L ±.015	N ±.010	M Ref.	FILET UNF-2B			
221-143	221-144	.234	1.062	.625	.406	.312	.500	1.000	.500	.437	10-32	45	---	.05
221-145	221-146	.250	1.312	.750	.469	.375	.687	1.031	.562	.500	1/4-28	40	---	.06
221-147	221-148	.312	1.375	.875	.500	.437	.687	1.219	.687	.593	5/16-24	42	---	.11
221-149	221-150	.359	1.625	1.000	.687	.562	.812	1.562	.906	.812	3/8-24	46	---	.17
221-151	221-151A	.406	1.812	1.125	.750	.625	.937	1.750	1.062	.937	7/16-20	44	---	.27
221-152	221-153	.453	2.125	1.312	.875	.750	1.062	2.000	1.125	1.000	1/2-20	48	---	.40
221-154	221-155	.484	2.500	1.500	1.000	.875	1.375	2.500	1.500	1.375	5/8-18	52	---	.68
221-156	221-197	.593	2.875	1.750	1.125	1.000	1.562	3.000	1.812	1.625	3/4-16	46	---	1.11

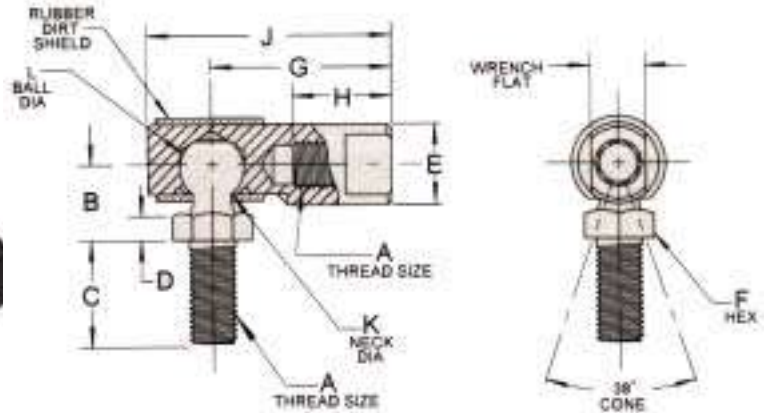
Tous ces produits sont vendus à l'unité



FLAT TOP - SHURSEAL

SPECIFICATIONS

Materials of construction - Made of low carbon steel with ball studs case hardened. Plated and dichromate treated for corrosion resistance.



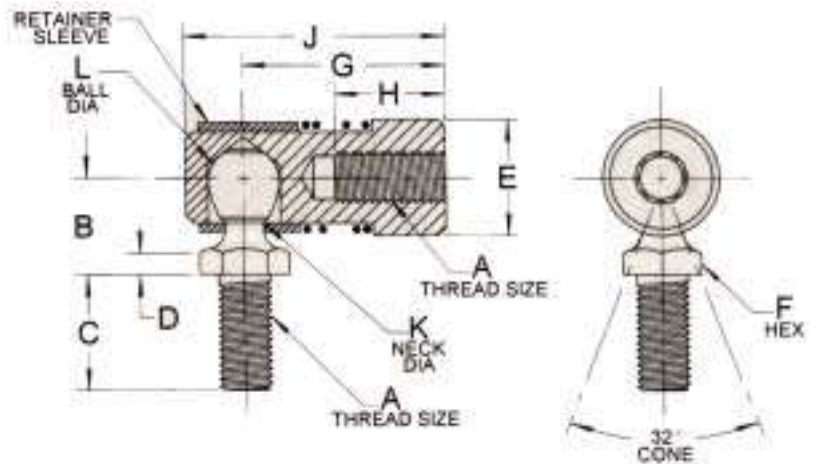
NUMÉRO	A	B	C	D	E	WRENCH	F	G	H	J	K	L	THREAD	BTE
221-169	10-32	7/16	7/16	1/8	3/8	5/16	5/16	7/8	15/32	1-5/32	.177	.301	R	2
221-170	1/4-28	15/32	9/16	1/8	7/16	3/8	3/8	31/32	17/32	1-5/16	.208	.347	R	3
221-171	5/16-24	17/32	11/16	5/32	1/2	7/16	7/16	1-1/8	19/32	1-9/16	.250	.405	R	3
221-165	5/16-24	17/32	11/16	5/32	1/2	7/16	7/16	1-1/8	19/32	1-9/16	.250	.405	L	2
221-172	3/8-24	11/16	7/8	3/16	5/8	1/2	1/2	1-3/8	13/16	1-13/16	.289	.493	R	1
221-166	3/8-24	11/16	7/8	3/16	5/8	1/2	1/2	1-3/8	13/16	1-13/16	.289	.493	L	1
221-173	7/16-20	7/8	1-1/8	1/4	3/4	5/8	5/8	1-15/16	1-1/8	2-1/2	.375	.618	R	1
221-174	1/2-20	7/8	1-1/8	1/4	3/4	5/8	5/8	1-15/16	2-1/8	2-1/2	.375	.618	R	1

**CONNECTEUR RAPIDE
QUICK DISCONNECT**

SPECIFICATIONS

Key Hole design on retaining sleeve insures positive alignment of sleeve with ball cavity.

Materials of construction - Body and ball are of low carbon steel, with ball studs case hardened. All components except stainless steel spring are plated and yellow dichromate treated for greater corrosion resistance.

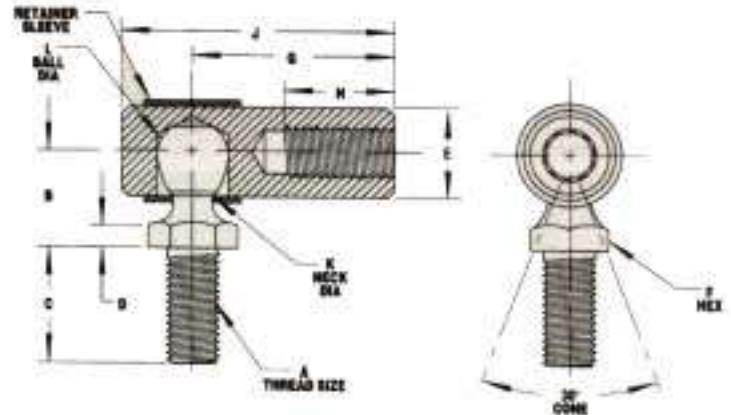


NUMÉRO	A	B	C	D	E	F	G	H	J	K	L	BTE
221-175	1/4-28	15/32	9/16	1/8	9/16	3/8	31/32	17/32	1-1/4	.192	.347	2
221-176	5/16-24	17/32	11/16	5/32	5/8	7/16	1-1/8	19/32	1-29/64	.224	.405	2
221-167	3/8-24	11/16	7/8	3/16	3/4	1/2	1-3/8	13/16	1-3/4	.273	.493	1



SUPER WEAR

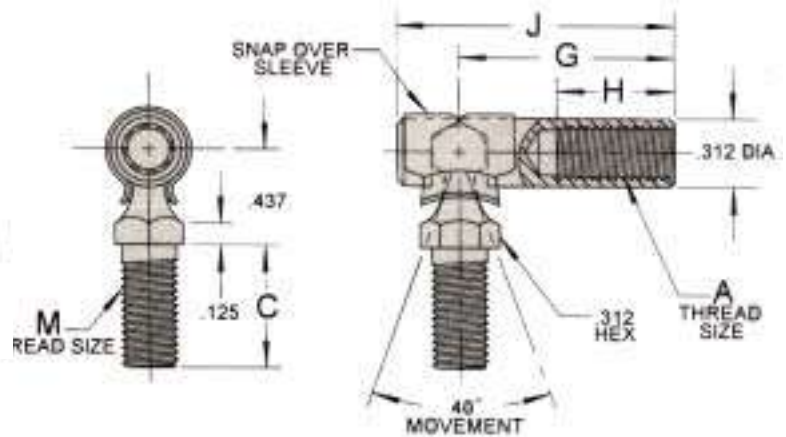
SPECIFICATIONS	
Materials of construction	
Made of low carbon steel. Both ball stud and ball cavity are case hardened. Plated and dichromate treated for corrosion resistance. The ball retainers are of hardened spring steel.	



NUMÉRO	A	B	C	D	E	F	G	H	J	K	L	BTE
221-161	1/4-28	15/32	9/16	1/8	7/16	3/8	31/32	17/32	1-5/16	.192	.347	2
221-162	5/16-24	17/32	11/16	5/32	1/2	7/16	1-1/8	19/32	1-9/16	.224	.405	2
221-163	3/8-24	11/16	7/8	3/16	5/8	1/2	1-3/8	13/16	1-13/16	.273	.493	1
221-164	1/2-20	7/8	1-1/8	9/32	3/4	5/8	1-15/16	1-1/8	2-5/8	.359	.618	1

DISCONNECTING

SPECIFICATIONS	
Materials of construction	
Made of low carbon steel. Both ball stud and ball cavity are case hardened. Plated and dichromate treated for corrosion resistance. The retaining clip is heat treated spring steel, plated for corrosion resistance.	

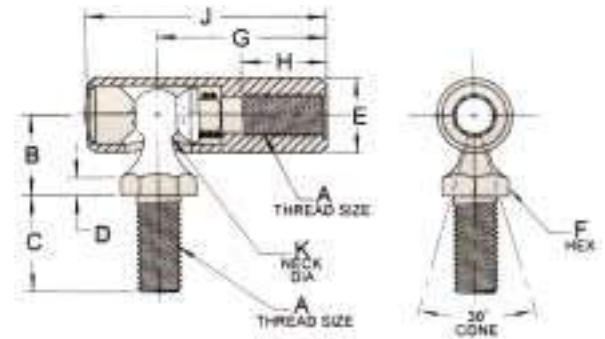


NUMÉRO	A	C	G	H	J	M	BTE
221-205	10-32NF	7/16	7/8	31/64	1-5/32	10-32NF	2
221-206	10-32NF	9/16	7/8	31/64	1-5/32	1/4-28UNF	2
221-207	1/4-28UNF	9/16	31/32	17/32	1-1/4	1/4-28UNF	2
221-208	1/4-28UNF	7/16	31/32	17/32	1-1/4	10-32NF	2



A (SPRING LOADED)
AL (SPRING LOADED LONG ADJUSTMENT)

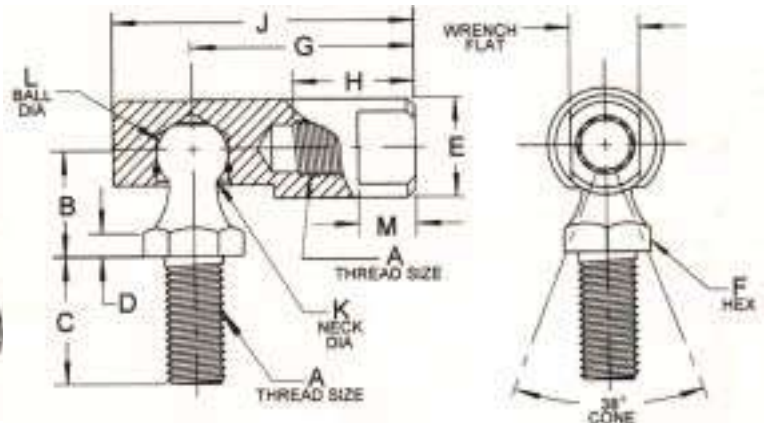
SPECIFICATIONS	
Materials of construction	
Made of low carbon steel. Seat members are made of C1008 steel. Both ball stud and seats are case hardened. Assemblies are plated and dichromate treated for corrosion resistance.	



NUMÉRO	G.M.C.	G.M.C.	A	B	C	D	E	F	G	H	J	K	BTE
TYPE A (SPRING LOADED)													
221-177	109398	91727	10-32	7/16	7/16	1/8	3/8	5/16	7/8	7/16	1-1/4	.125	5
221-178	109400	192227	1/4-28	15/32	9/16	1/8	7/16	3/8	31/32	1/2	1-3/8	.151	5
221-179	109401	426310	5/16-24	17/32	11/16	5/32	1/2	7/16	1-1/8	9/16	1-9/16	.182	5
TYPE AL SPRING LOADED LONG ADJUSTMENT													
221-181	148570	x	10-32	7/16	7/16	1/8	3/8	5/16	1-7/16	1-1/16	1-13/16	.125	1

DESSUS PLAT
FLAT TOP

SPECIFICATIONS	
Materials of construction	
Made of low carbon steel with ball studs case hardened. Plated and clear dichromate treated for corrosion resistance.	

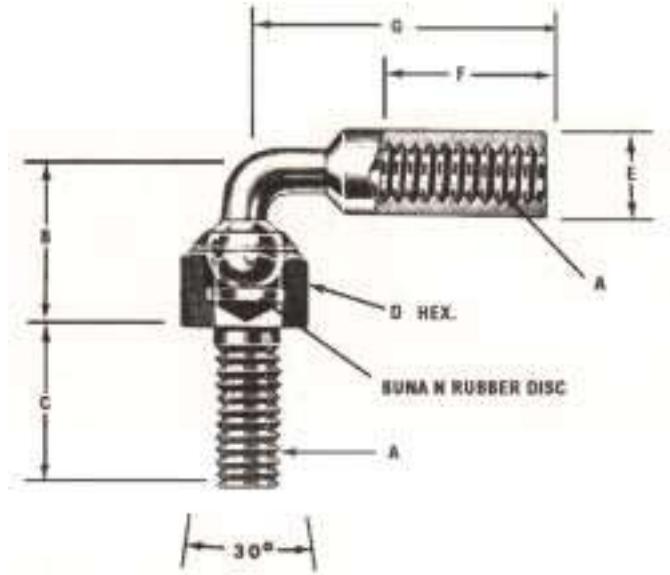


R = FILET À DROITE

NUMÉRO	A	B	C	D	E	WRENCH	F	G	H	J	K	L	THREAD	BTE
221-200	10-32	7/16	7/16	1/8	3/8	5/16	5/16	7/8	15/32	1-5/32	.177	.301	R	2
221-201	1/4-28	15/32	9/16	1/8	7/16	3/8	3/8	31/32	17/32	1-5/16	.208	.347	R	2
221-202	5/16-24	17/32	11/16	5/32	1/2	7/16	7/16	1-1/8	19/32	1-9/16	.250	.405	R	2
221-185	3/8-24	11/16	7/8	3/16	5/8	1/2	1/2	1-3/8	13/16	1-13/16	.289	.493	R	5
221-204	1/2-20	7/8	1-1/8	1/4	3/4	5/8	5/8	1-15/16	1-1/8	2-1/2	.375	.618	R	5



USAGE LÉGER
LIGHTWEIGHT



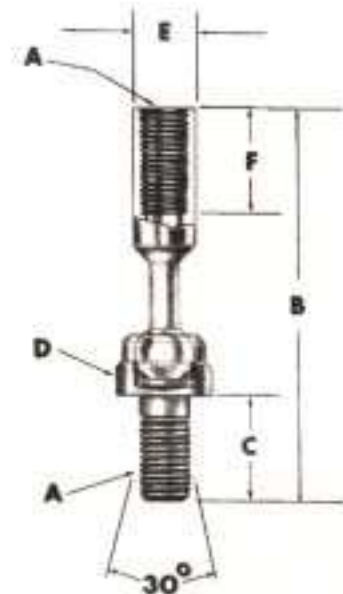
NUMÉRO	A	B	C	D	E	F	G	BTE
221-168	1/4-28	9/16	9/16	7/16	5/16	9/16	1-1/16	2

USAGE LÉGER
LIGHTWEIGHT

SPECIFICATIONS

Materials of construction

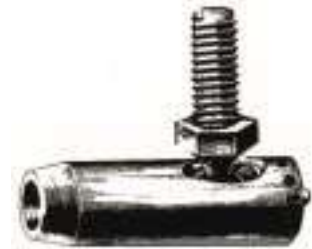
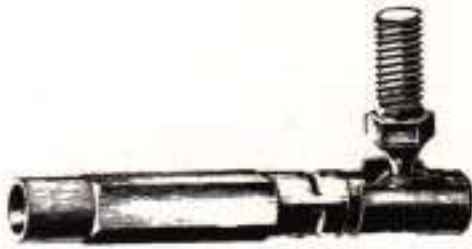
Made of low carbon steel. Units are plated and dichromate treated for corrosion resistance. A rubber disc is used.



NUMÉRO	G.M.C.	A	B	C	D	E	F	BTE
221-191	443773	1/4-28	2-3/32	9/16	7/16	5/16	9/16	2



BALL JOINT ASSEMBLÉS



221-180 1/4-28 SAE Bte : 1

221-187 1/4-28 SAE Bte : 1
221-188 5/16-24 SAE Bte : 1

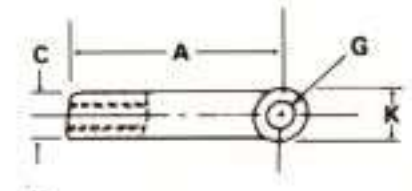
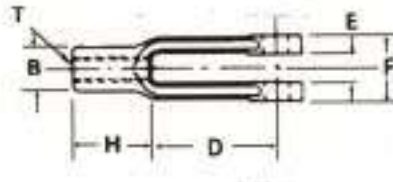
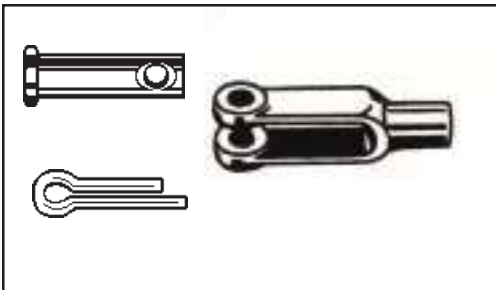
Ball joint assembly
Male and female Thread GM & Ford

Adjustable ball joint assemblies
Male and female Thread

YOKE ENDS

PLAIN FINISHED DROP FORGED YOKE ENDS ADJUSTABLE

PACKAGE INCLUDES CLEVIS PIN & COTTER PIN



NUMÉRO	TAP	A	B	C	D	E	F	G	H	K	BTE
220-118	1/4-28	2	7/16	7/16	1-1/4	9/32	5/8	1/4	3/4	1/2	1
220-120	5/16-24	2-1/4	1/2	1/2	1-7/16	11/32	3/4	5/16	13/16	19/32	1
220-122	3/8-24	2-1/2	5/8	5/8	1-5/8	7/16	7/8	3/8	7/8	11/16	1
220-124	7/16-20	2-7/8	23/32	23/32	1-7/8	1/2	1	7/16	1	13/16	1
220-126	1/2-20	3	13/16	13/16	1-7/8	9/16	1-1/8	1/2	1-1/8	15/16	1
220-128	5/8-18	4-15/16	1-1/16	1-1/16	3-11/16	11/16	1-3/8	5/8	1-1/4	1-3/16	1

**CONTACTEZ-NOUS
GET IN TOUCH**

1 800 463-5259

info@prdistribution.ca

Notre service, toujours en tête.^{MD} Our service, one step ahead.TM

prdistribution.ca

1 800 463-5259
info@prdistribution.ca

Siège social • Head Office

6500, rue Zéphirin-Paquet
Québec QC G2C 0M3
T 418 872-6018 F 418 872-6583

Succursale • Branch

1100, rue de la Manic
Saguenay QC G7K 1A2
T 418 545-1100 F 418 545-1104

